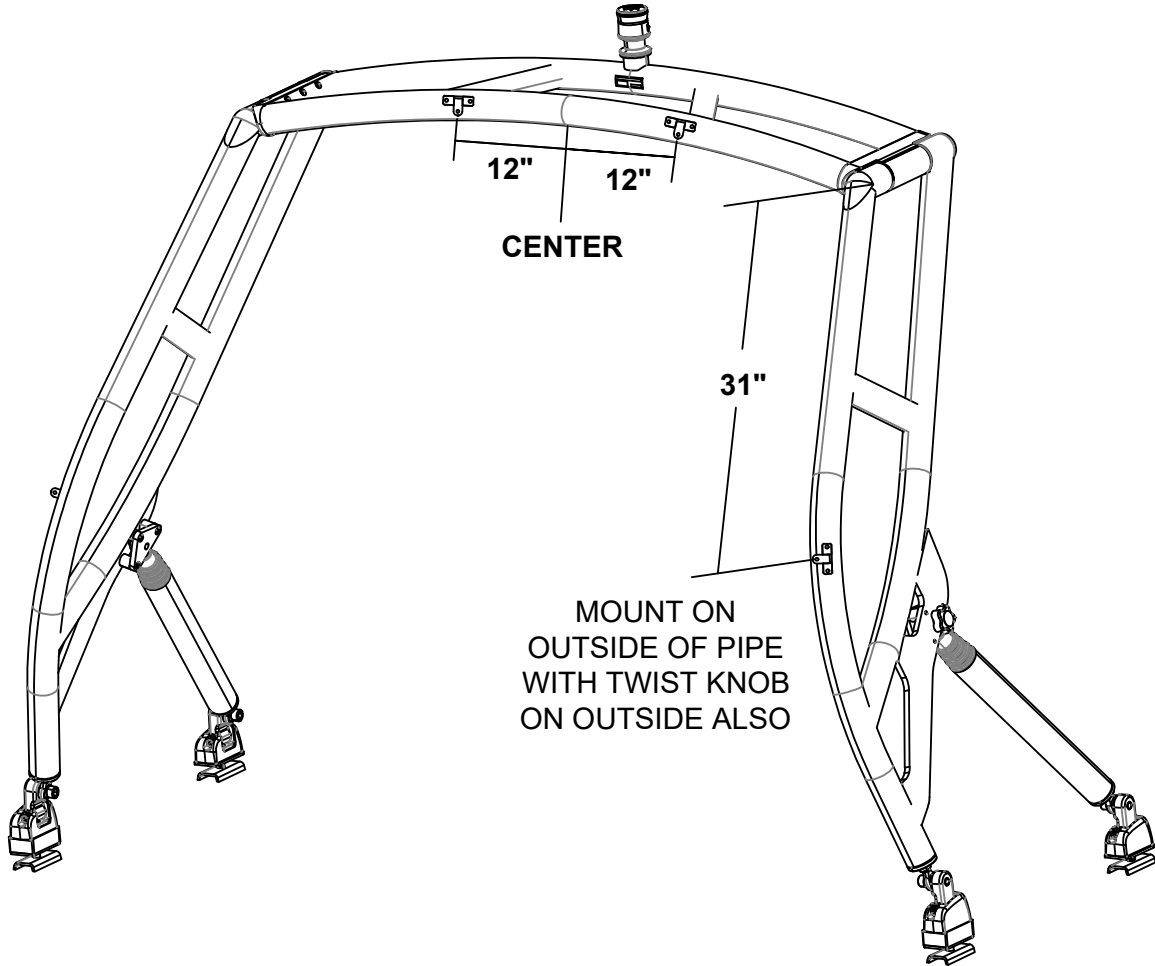


## GREAT LAKES BOAT TOP

### TOWER BIMINI TOP MOUNTING INSTRUCTIONS

2024 MONSTER TOWER	MT-7	MT MT7 NN1-3BN0AA
--------------------	------	-------------------

**FRONT OF  
TOWER**



1) MEASURE 31" DOWN FROM TOP CORNER FOR CENTER OF MAIN BOW MOUNT. PLACE MOUNT ON OUTSIDE OF TOWER LEG PIPES (NOT ON TOP OF TOWER LEG) & BLACK TWIST KNOB ON OUTSIDE. ATTACH WITH SELF TAPPING SCREWS.

2) MEASURE 12" OUT FROM CENTER OF BRACE BAR FOR CENTER OF SUPPORT POLE MOUNT. PLACE MOUNT ON FRONT OF BAR SO THAT BLACK TWIST KNOB IS DOWN. ATTACH WITH SELF TAPPING SCREWS.

#### HARDWARE PACKAGED

200614 - 4 - MOUNT 90° BLACK SWIVEL TAPPED  
101180 - 4 - BLACK TWIST KNOBS  
100470 - 8 - #10 X 3/4" PHIL FLAT TEK SCREWS

#### ASSEMBLY PACKAGED

100340 - 8 - 8 X 5/8" PHIL OVAL HEAD SS SCREWS

